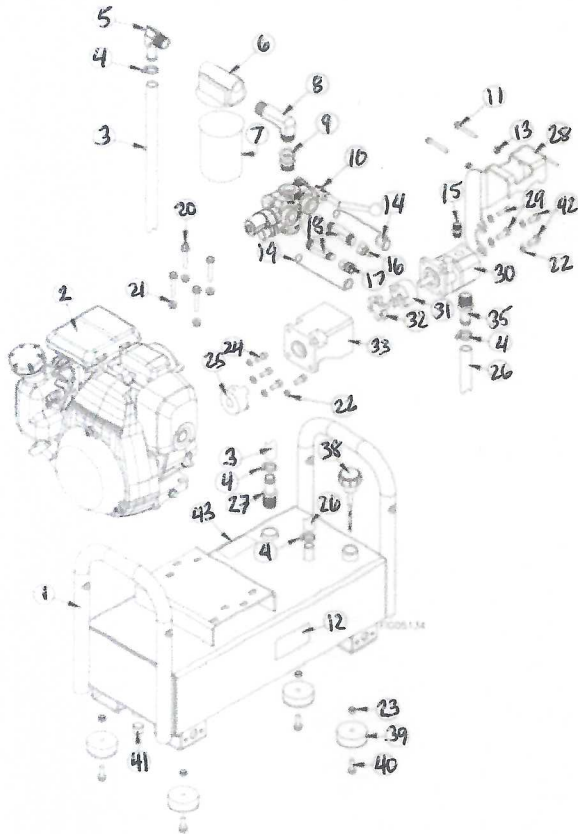


# Hydra Buddy Part Manual



Item	Part No.	Description	Qty Needed
1	790629	SMALL HYDRAULIC TANK WELDMENT (HBH16GC, HBH16GX)	1
	790628	LARGE HYDRAULIC TANK WELDMENT (HBHXL16GX)	
2	GC160	HONDA 5.0HP ENGINE GC160 (HBH16GC)	1
	GX160	HONDA 5.5HP ENGINE GX160 (HBH16GX)	

# Hydra Buddy Part Manual

	GX270	HONDA 9.0HP ENGINE GX270 (HBHXL16GX)	
3	788844	3/4"X 15" SUCTION HOSE	1
4	17141	3/4" HOSE CLAMP	4
5	778829	3/4 NPT X 3/4 HOSE BARB	1
6	791244	RETURN LINE FILTER HEAD	1
7	BR001113	REPLACEMENT FILTER CANISTER	1
8	777801	NPT12 X JIC12 90 LONG FITTING	1
9	787039	3/4-14 NPT X 1-1/16 JIC	1
10	787017	HYDRAULIC VALVE – 900 PSI (HBH16GC, HBH16GX)	1
	787018	HYDRAULIC VALVE – 1500 PSI (HBHXL16GX)	
11	82076	1/4-20 X 1 3/4 BOLT	2
12	791693	DECAL, HYDRA BUDDY™ (HBH16GC, HBH16GX)	
	791694	DECAL, HYDRA BUDDY™ XL (HBHXL16GX)	1

# Hydra Buddy Part Manual

13	82222	1/4-20 NYLOC NUT	2
14	787044	MALE BOOT QUICK CONNECT	1
15	787038	3/4-14 NPT X 3/4-16 ORING BOSS	1
16	787042	1/2" MALE QUICK CONNECT	1
17	787043	1/2" FEMALE QUICK CONNECT	1
18	787037	1/2"-14 LONG HEX NIPPLE	2
19	787045	FEMALE BOOT QUICK CONNECT	1
20	82622	5/16-18 X 1 1/2 HHFB	4
21	82630	5/16 -18 NYLON LOCK FLANGE NUT	4
22	82100	5/16 SPLIT LOCK WASHER	8
23	82020	5/16-18 NYLOC NUT	4
24	82601	5/16-24 X 1 HHCS	4
25	BR006002C	ENGINE COUPLING L075 X 3/4" (HBH16GC, HBH16GX)	1

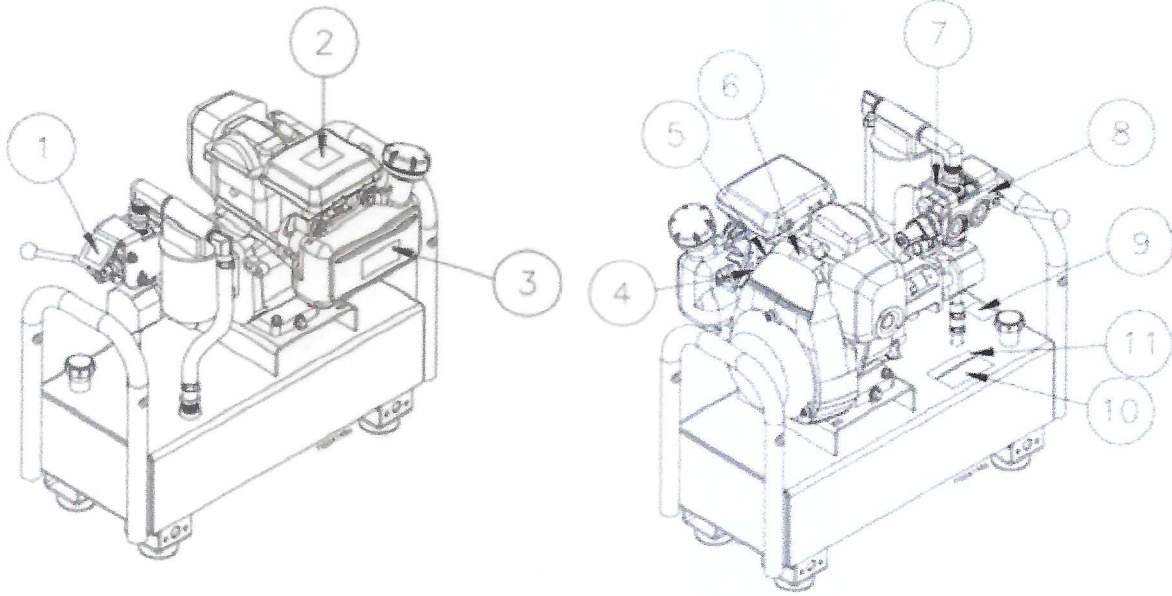
# Hydra Buddy Part Manual

	BR006001C	ENGINE COUPLING L095 X 1" (HBHXL16GX)	
26	787715	3/4 X 4" SUCTION HOSE (HBH16GC, HBH16GX)	1
	787716	3/4 X 5" SUCTION HOSE (HBHXL16X)	
27	787352	3/4 NPT X 3/4 BEADED HB	1
28	790627	VALVE MOUNT PLATE	1
29	82601	5/16-24 X 1 HHCS (HBHXL16X)	2
	82091	5/16-18 X 1 HHCS (HBH16GC, HBH16GX)	
30	787026	HYDRAULIC PUMP	1
31	BR006002D	PUMP COUPLING L075 X 1/2" (HBH16GC, HBH16GX)	1
	BR006001D	PUMP COUPLING L095 X 1/2" (HBHXL16GX)	
32	BR006002B	COUPLING INSERT L075 (HBH16GC, HBH16GX)	1
	BR006001B	COUPLING INSERT L095 (HBHXL16GX)	
33	BR020010	SMALL PUMP MOUNT BRACKET (HBH16GC, HBH16GX)	1

# Hydra Buddy Part Manual

	BR020110	LARGE PUMP MOUNT BRACKET (HBHXL16GX)	
35	787041	3/4 BEADED HB X 7/8-14	1
38	784455	VENTED BREATHER W/DIPSTICK	1
39	15431	RUBBER FEET	4
40	82016	5/16-18 X 1 BOLT	4
41	787711	MAGNETIC DRAIN PLUG	1
42	82089	5/16-24 X 3/4 BOLT (HBHXL16GX)	2
	82087	5/16-18 X 3/4 BOLT (HBH16GC, HBH16GX)	
43	797158	MADE IN USA DECAL	1

# Hydra Buddy Part Manual



1 CONTROL HANDLE OPERATION

↑	FORWARD
0	NEUTRAL
↓	REVERSE

2 **WARNING**  
Poisonous Gas  
This product emits carbon monoxide, a poisonous gas that can kill you. You (ANNECT) must be used in an outdoor area.  
ANNECT can explode if far away from windows, doors, & vents.  
NEVER use inside homes, garages, or sheds, EVEN if you have a fan or open door or window.  
See document included for more details.

3 **WARNING**  
Flammable/Explosive Hazard  
Fuel is flammable and explosive.  
Never fuel a running or hot engine.  
Close up fuel valve immediately.  
Remove them and the fuel hose before starting.  
Keep distance of 30 feet and flames away.  
Hot exhaust may also ignite spilled fuel.  
See warning.  
Only a fire extinguisher nearby.

4 5 8

←	RETURN	↑	OUT	SUPPLY	← F
↓		IN			N
					→ R

6 **WARNING**  
BURN HAZARD  
Hot and moving parts may cause injury.

9 **NOTICE**  
HYDRAULIC FILL PLUG  
Maintain level of hydraulic oil at FULL mark on the dipstick.  
Recheck fluid level after start-up and immediately operating engine.  
Use Universal Hydraulic Oil or Dexron Transmission Fluid  
respectively.  
1. Shut-off Engine  
2. Operate control valve to release pressure  
3. Check fluid level.

7 **NOTICE**  
Read the manual before operating.  
Use proper technique to avoid injury.  
Use proper technique to avoid injury.

10 **WARNING**  
ESCAPING HIGH PRESSURE HYDRAULIC FLUID HAZARD  
High fluid pressures and temperatures are developed on the hydraulic system. Hydraulic fluid escaping through even a pin-sized hole spraying on skin, clothes, hair, and lower limb performance.  
\* Inspect pump, filter, supply hoses, and hoses attached to attachments regularly for leaks.  
\* Never check for leaks with your hand while system is pressurized.  
\* Seek medical attention immediately if injured by escaping fluid.

11 **WARNING:** This product can expose you to chemicals including lead, benzene, and mineral oils, which are known to the State of California to cause cancer, and carbon monoxide, which is known to the State of California to cause birth defects or other reproductive harm. For more information go to [www.P65Warnings.ca.gov](http://www.P65Warnings.ca.gov).

Item	Part No.	Description	Qty Needed
1		Control Handle Operation #1	
2	795851	Carbon Monoxide Warning	1
3		Fire Hazard Warning	
4	788400	Throttle Operation (HBH16GX, HBH16GX)	1
	788401	Throttle Operation (HBHXL16GX)	1
5	788402	Choke/Gas Shut-off Operation (HBH16GX, HBH16GX)	1
	788403	Choke/Gas Shut-off Operation (HBHXL16GX)	1
6		Muffler Warning	
7	795851	Inspect Lubricate	1
8		Control Handle Operation #2	
9		Hydraulic Fill	

# Hydra Buddy Part Manual

10		Hydraulic Fluid Warning	
11	799546	Proposition 65	1